



MODEL T10115 BENCHTOP DOWNDRAFT TABLE INSTRUCTIONS

!WARNING

Damage to your eyes, and lungs could result from using this item without proper protective gear, such as safety glasses and a respirator.



Specifications

- Overall Size 18½" x 26"
- Table Size..... 18½" x 22"
- Dust Port Size 2½"
- Table Surface Height..... 7½"

Connection

Connect your benchtop downdraft table to your dust collection system or Shop•Vac with a 2½" dust hose and hose clamp.

Operation

To use the downdraft table, start your dust collector and sand your workpiece on the table.

For workpieces that are larger than the downdraft table, the side and rear dust shields can be lowered to create additional clearance. Loosen the necessary lock knobs (**Figure 1**), then lower the appropriate dust shield.

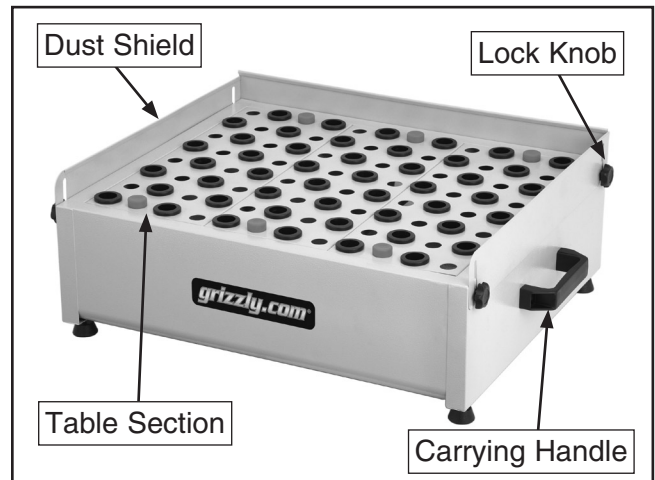


Figure 1. Model T10115 identification.

Cleaning

Your table surface may be cleaned with a damp rag. If your table surface gets gummy from wood pitch, you can use a non-corrosive blade cleaner to easily remove it without harming the tabletop surface. DO NOT clean with products such as brake parts cleaner, acetone, or gasoline that will harm the paint on the table surface.

To remove sawdust that may become trapped beneath the table, lift up on the table sections to remove them, then vacuum the inside of the table.

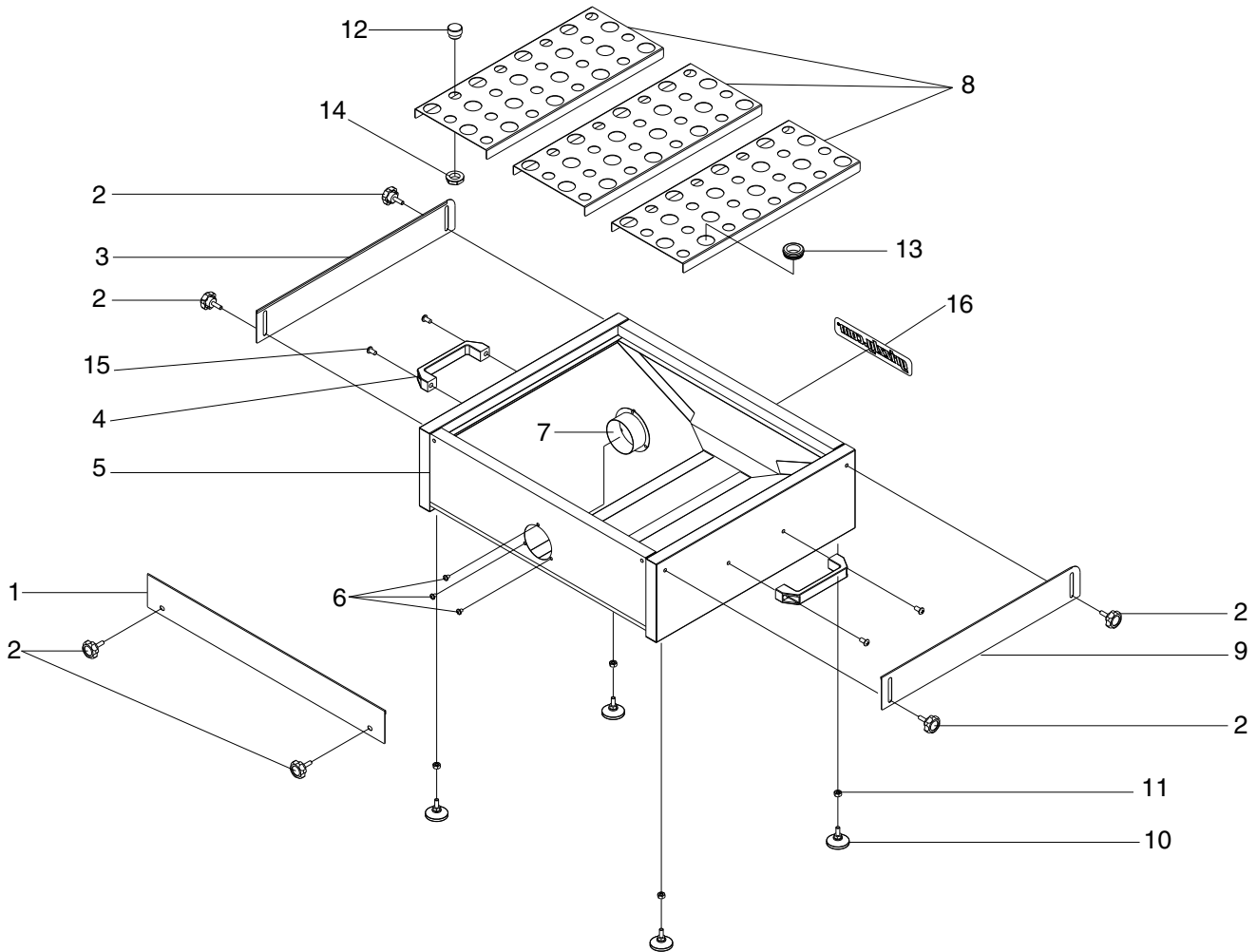
If you need help with your new item, call our Tech Support at: (570) 546-9663.

COPYRIGHT © NOVEMBER, 2008 BY GRIZZLY INDUSTRIAL, INC.

WARNING: NO PORTION OF THIS MANUAL MAY BE REPRODUCED IN ANY SHAPE OR FORM WITHOUT THE WRITTEN APPROVAL OF GRIZZLY INDUSTRIAL, INC.

#JB11329 PRINTED IN TAIWAN

T10115 Parts Breakdown and List



REF	PART #	DESCRIPTION
1	PT10115001	DUST SHIELD REAR
2	PT10115002	KNOB 1/4-20 x 3/8
3	PT10115003	DUST SHIELD RIGHT
4	PT10115004	HANDLE
5	PT10115005	BASE
6	PS18	PHLP HD SCR 10-24 X 1/4
7	PT10115007	DUST PORT 2-1/2
8	PT10115008	TABLE TOP

REF	PART #	DESCRIPTION
9	PT10115009	DUST SHIELD LEFT
10	PT10115010	FOOT PAD M6-1 X 20
11	PN01M	HEX NUT M6-1
12	PT10115012	STOPPER BOLT
13	PT10115013	GROMMET
14	PT10115014	STOPPER NUT
15	PS12	PHLP HD SCR 1/4-20 X 5/8
16	PT10115016	GRIZZLY LABEL

